

NEEDLE VALVE

Compression End

MODEL CODE : KCET

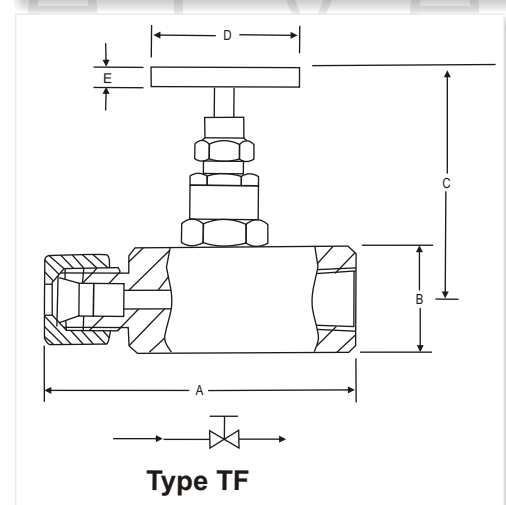
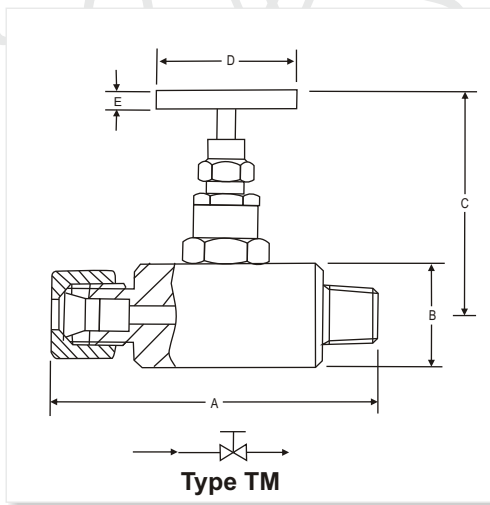
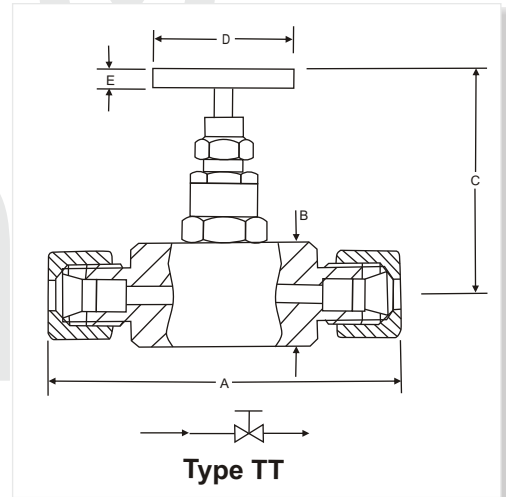
Needle Valves with compression ends designed for use on general applications requiring complete isolation and throttling of media offered with Waaree designed twin ferrules and nuts are available in imperial and metric sizes (See Tube Fitting catalogue No. FIT/04/06). Specially designed conical metal tip press fitted ensures perfect alignment for positive bubble tight shut-off. Available with tube end connections in sizes from 6 mm to 12 mm and 1/4" to 1/2" tube or one end screwed to male or female.

Technical Specifications

Design Pressure : 6000 PSI
 Max temp. : 240°C
 Material : Stainless Steel
 Stem : (CT) Conical tip press fitted hard chrome plated.
 Gland Packing : PTFE
 Stem packing area : Burnished finish for smooth valve operation.
 Safety Feature : Back seating for preventing stem blowout.

Type (TT)	Length A	Width B	Height (open) Max., C	Handle D	Handle OD E
6M x 6M	65	25	63	40	10
8M x 8M	65	25	63	40	10
10M x 10M	65	25	63	40	10
12M x 12M	65	32	83.6	50	12
Type (TF)					
1/4" OD x 1/4" NPTF	65	25	63	40	10
3/8" OD x 3/8" NPTF	65	25	63	40	10
1/2" OD x 1/2" NPTF	65	32	83.6	50	12
Type (TM)					
1/4" OD or 6M x 1/4" NPTM	65	25	63	40	10
8m x 1/4" NPTM	65	25	63	40	10
3/8" OD or 10M x 3/8" NPTM	65	25	63	40	10
1/2" OD or 12M x 1/2" NPTM	72	32	83.6	50	12

All dimensions are in mm.



Applications

- Instrument isolation
- Media throttling
- Liquid and vapor service.

Note : Other combination sizes available on request. Please contact us for more details.



MODEL CODE : KCEB

Needle Valves with compression ends for use in applications on fluids containing solid particles designed to give high capacity bi-directional flow with reliable bubble tight shut off. The flow path of the valve is easy to clean for viscous fluid application. Offered with Waaree designed twin ferrules and nuts available in imperial and metric sizes (See Tube Fitting catalogue No. FIT/04/06). Available with tube end connections in sizes from 6 mm to 12 mm and 1/4" to 1/2" tube or one end screwed to male or female.

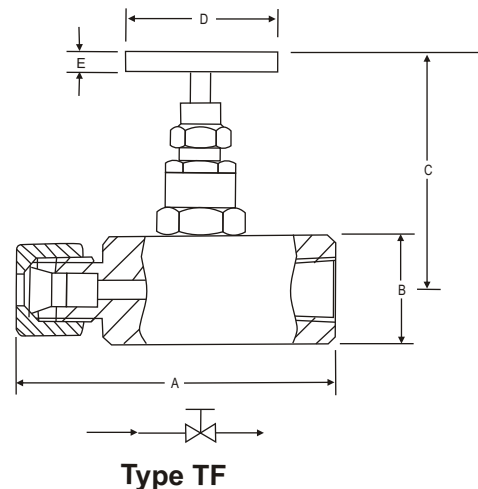
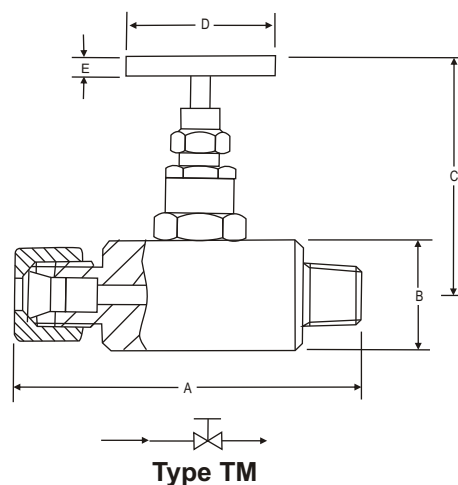
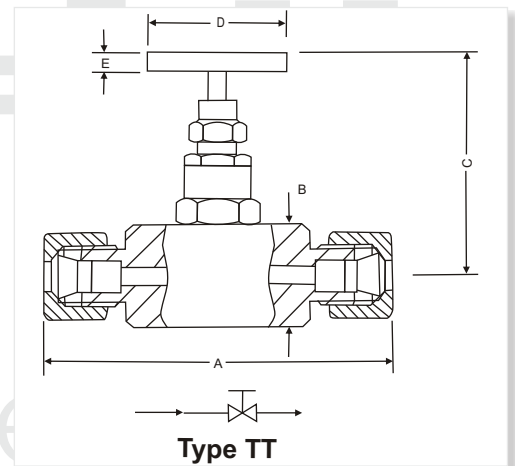
Technical Specifications

Design Pressure : 6000 PSI
 Max temp. : 240°C
 Stem : Rising Plug (Type BD)
 Stem packing area : Burnished finish for smooth valve operation.
 Safety Feature : Back seating for preventing stem blowout.
 Feature : Replaceable soft seat which absorbs contaminants and operates in dirty service, with easy Maintenance and straight through design for high capacity bi-directional flow.



Type (TT)	Length A	Width B	Height (open) Max., C	Handle D	Handle OD E
6M x 6M	65	25	64.5	40	10
8M x 8M	65	25	64.5	40	10
10M x 10M	65	25	64.5	40	10
12M x 12M	65	32	94	50	12
Type (TF)					
1/4" OD x 1/4" NPTF	65	25	64.5	40	10
3/8" OD x 3/8" NPTF	65	25	64.5	40	10
1/2" OD x 1/2" NPTF	65	32	94	50	12
Type (TM)					
1/4" OD or 6M x 1/4" NPTM	65	25	64.5	40	10
8M x 1/4" NPTM	65	25	64.5	40	10
3/8" OD or 10M x 3/8" NPTM	65	25	64.5	40	10
1/2" OD or 12M x 1/2" NPTM	72	32	94	50	12

All dimensions are in mm.



Applications

- Instrument isolation
- Media throttling
- Liquid and vapor service.

Note : Other combination sizes available on request. Please contact us for more details.



NEEDLE VALVE

COMPRESSION END

MODEL CODE : KCED

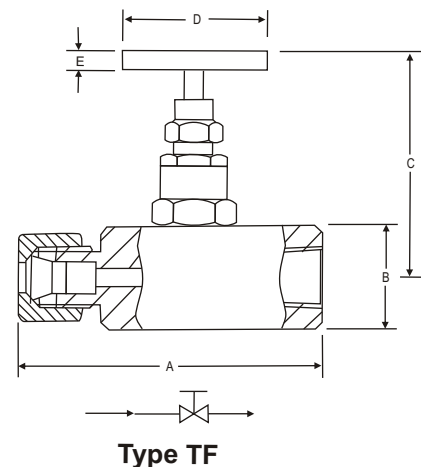
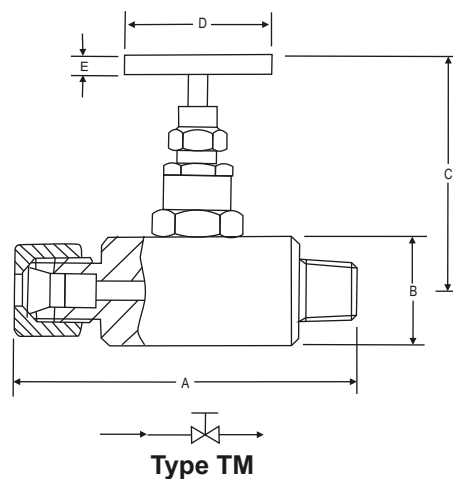
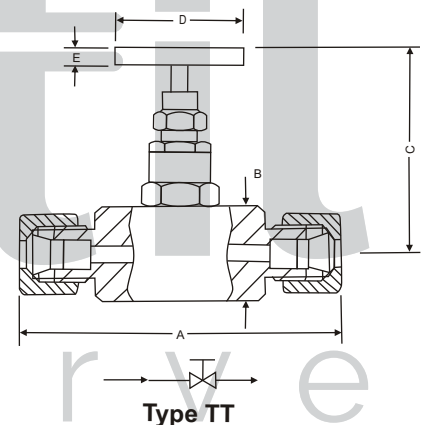
Needle Valves with compression end is specially designed for use on general applications requiring complete isolation or throttling of media. Ideal for use on gas services and some liquid applications. offered with Waaree designed twin ferrules and nuts available in imperial and metric sizes (See Tube Fitting catalogue No. FIT/04/06). Specially designed soft Delrin needle tip rolled into the stem assembly in perfect location for positive bubble tight shut-off. Available with end connections in sizes from 6mm to 12mm and 1/4" to 1/2" tube with one end screwed to male or female.

Technical Specifications

Design Pressure : 6000 PSI
 Max temp. : 100°C
 Stem : Type (DS) Delrin soft needle tip rolled into the needle.
 Material : Stainless Steel
 Gland Packing : PTFE
 Stem packing area : Burnished finish for smooth valve operation.
 Safety Feature : Back seating for Preventing stem blowout.

Type (TT)	Length A	Width B	Height (open) Max., C	Handle D	Handle OD E
6M x 6M	65	25	63.5	40	10
8M x 8M	65	25	63.5	40	10
10M x 10M	65	25	63.5	40	10
12M x 12M	65	32	93.5	50	12
Type (TM)					
1/4" OD x 1/4" NPTF	65	25	63.5	40	10
3/8" OD x 3/8" NPTF	65	25	63.5	40	10
1/2" OD x 1/2" NPTF	65	32	93.5	50	12
Type (TF)					
1/4" OD or 6M x 1/4" NPTM	65	25	63.5	40	10
8M x 1/4" NPTM	65	25	63.5	40	10
3/8" OD or 10M x 3/8" NPTM	65	25	63.5	40	10
1/2" OD or 12M x 1/2" NPTM	72	32	93.5	50	12

All dimensions are in mm.



Applications

- Instrument isolation
- Media throttling
- Liquid and vapor service.

Note : Other combination sizes available on request. Please contact us for more details.



MODEL CODE : KCET, KCEB, KCED

HOW TO ORDER

BASIC MODEL : KCET, KCEB, KCED

Body Material	Stem Packing	Size = P x P1	Connections	Threads
C = Carbon Steel	P = PTFE	6M = 6 x 6mm OD	TT = Tube x Tube	N = NPT (ANSI B 1.20.1)
S = SS 316	G = Grafoil	8M = 8 x 8mm OD	TM = Tube x Male	P = BSPP (BS 2779, ISO 228/1)
S4 = SS 304		10M = 10 x 10mm OD	TFe = Tube x Female	B = BSPT (BS 21, ISO 7/1)
SL = SS 316L		12M = 12 x 12mm OD	MT = Male x Tube	
M4 = Monel 400		4T = 1/4" x 1/4" OD	FeT = Female x Tube	
M5 = Monel 500		6T = 3/8" x 3/8" OD		
H = Hastelloy C		8T = 1/2" x 1/2" OD		
B = Brass		4 = 1/4"OD x 1/4" thread		
		6 = 3/8"OD x 3/8" thread		
		8 = 1/2"OD x 1/2" thread		

OPTIONS

IE : Handle circular.

TF : Compliance to NACE standard MR-0175.

SG : For Oxygen service, valves are supplied cleaned, degreased and suitably packed.

GH : Material test certificate

GO : Hydro test certificate

PV : IBR Approval

Ordering Example:

To place an order simply refer to the codes in the table.

Valve Type : Body Material + Stem Packing + Size + Connections + Options
KCET + S + P + 8T + TT + GH = KCET-S-P-8T-TT-GH

Note -

The weld prepared types are available with a male-or-female plain end - suitable for socket weld, or male butt weld end.

Always specify pipe schedule and further requirements when ordering valves for welded or Flange connections. Panel mounting option for installation in racks and panels.

Standard Valve Materials

Valve	Body	Bonnet	Stem	Tip
Carbon Steel	CS A105	CS A105	SS 304	SS 304
Stainless Steel	SS 316	SS 316	SS 316	SS 316

